

Miniature tension/compression force transducer

Up to 2,000 N

Model F2808



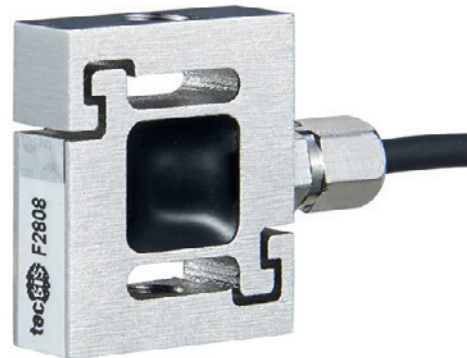
WIKA data sheet FO 51.68

Applications

- Pull and push dynamometer
- Hopper scale
- Industrial measuring systems
- Riveting machine
- Welding machine

Special features

- Measuring ranges 0 ... 5 N up to 0 ... 2,000 N
- Tension and compression force transducer with metal foil strain gauge technology and overload protection
- Ultracompact build size
- Stainless steel



Tension/compression force transducer, model F2808

Description

Tension/Compression force transducers are designed for static and dynamic measurement tasks in the direct flux of force. They determine the tension and compression forces in a wide scope of applications.

Due to their simple installation, the force transducers of this series are used in test technology and countless industrial applications.

Note

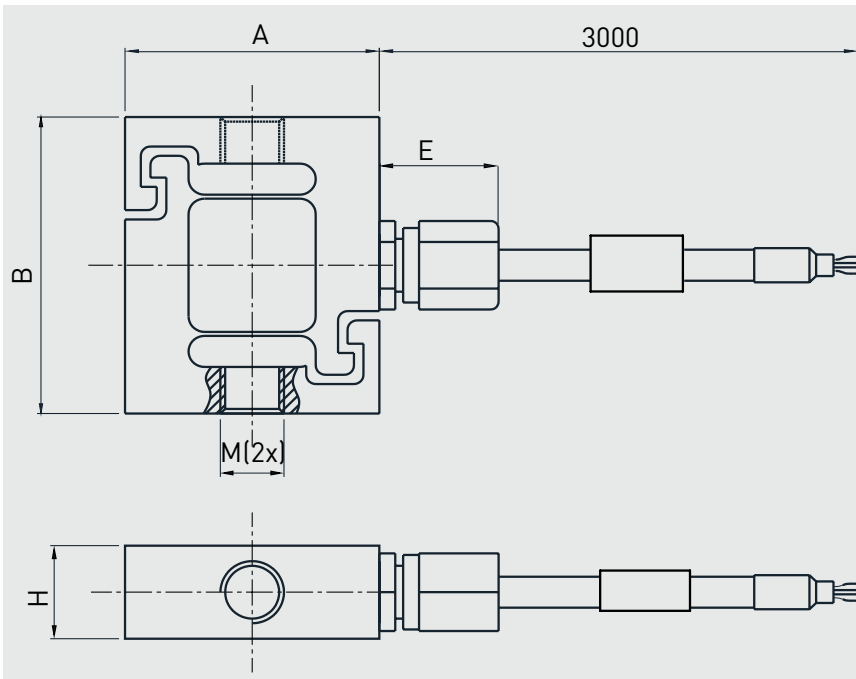
In order to avoid overloading, it is advantageous to connect the force transducer electrically during installation and to monitor the measured value.

The force to be measured must be applied concentrically and free of transverse force. The force transducers are to be mounted on a level surface

Technical data in accordance with VDI/VDE/DKD 2638

Model F2808	
Rated force F_{nom} N	5 / 10 / 20 / 50 / 100 / 200 / 250 / 300 / 500 / 1,000 / 2,000
Relative linearity error d_{lin}	$\pm 0.15 \% F_{nom}$
Relative creep, 30 min.	$\pm 0.1 \% F_{nom}$
Relative reversibility v	$\pm 0.1 \% F_{nom}$
Relative repeatability error in unchanged mounting position b_{rg}	$\pm 0.1 \% F_{nom}$
Relative deviation of zero signal $d_{S,0}$	$\pm 2 \% F_{nom}$
Force limit F_L	150 % F_{nom}
Breaking force F_B	300 % F_{nom}
Material	Stainless steel
Rated temperature range $B_{T, nom}$	-10 ... +60 °C
Operating temperature range $B_{T, G}$	-20 ... +80 °C
Input resistance R_e	350 \pm 30 Ω
Output resistance R_a	350 \pm 5 Ω
Insulation resistance R_{is}	$\geq 5,000 \text{ M}\Omega/\text{DC } 100 \text{ V}$
Output signal (rated output) C_{nom}	2.0 \pm 10 % mV/V
Electrical connection	Cable $\varnothing 2 \times 3,000 \text{ mm}$ (M3, M4), Cable $\varnothing 3 \times 3,000 \text{ mm}$ (M8)
Rated range of excitation voltage $B_{U, nom}$	DC 10 V (max. 15 V)
Protection (acc. to IEC/EN 60529)	IP66
Weight in kg	0.1

Dimensions in mm



Note:

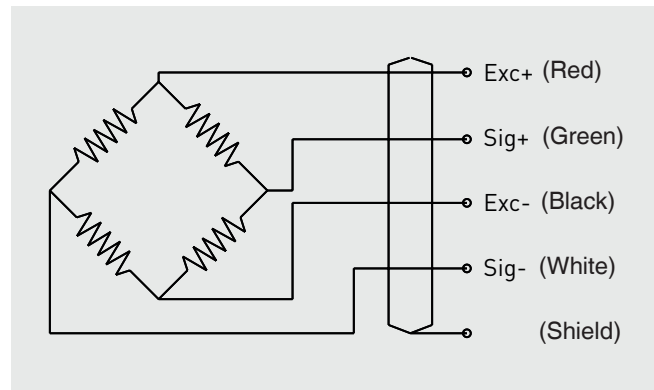
The cable will be $\varnothing 2$ for M3 M4 force transducer, equipped with M4 compression nut.

The cable will be $\varnothing 3$ for M8 force transducer, equipped with M6 compression nut.

Rated force in N	Dimensions in mm				
	M	H	A	B	E
5 / 10 / 20	M3	6	16	19.1	7.5
50 / 100 / 200 / 300 / 500	M4	6	16	19.1	13
250 / 300 / 500 / 1,000 / 2,000	M8	14	26	40	13

Pin assignment

Electrical connection	
Excitation voltage (+)	Red
Excitation voltage (-)	Black
Signal (+)	Green
Signal (-)	White
Screen \oplus	Screen



© 2018 WIKA Alexander Wiegand SE & Co. KG, all rights reserved.
The specifications given in this document represent the state of engineering at the time of publishing.
We reserve the right to make modifications to the specifications and materials.

