

# OEM pressure measuring system

## Standard version, back mount

### Model PMM01

WIKA data sheet PM 01.25

#### Applications

- For dry gaseous and liquid media that are not highly viscous or crystallising, suitable for copper alloys
- Pneumatics
- Industrial gases
- Medical engineering
- Drinking water

#### Special features

- Optimal integration solution
- Compact and cost-effective
- Scale ranges from -1 ... 0 bar to 0 ... 400 bar
- Nominal size 40, 50, 63
- Accuracy class 2.5



OEM pressure measuring system, model PMM01

#### Description

##### Integration concept

The PMM01 is the ideal pressure measuring system for trouble-free integration into a wide variety of applications. This is possible through the simple mounting and sealing of the already pre-adjusted system. Due to the sealing with an O-ring and a support ring, the pressure measuring system is efficiently and cost-effectively exchangeable.

##### Design freedom for customer solutions

Without any enclosing components, the PMM01 OEM pressure measuring system provides a simple and compact integration solution. Both the flat design and the free positionability of the PMM01 open up a multitude of integration variants with the designing of a pressure display. The PMM01 OEM pressure measuring system is available in nominal sizes of 40 mm, 50 mm and 63 mm.

##### Individual customer variants

Based on many years of experience in manufacturing and development, WIKA is happy to offer support in the construction and production of customer-specific solutions.

Specifications	
<b>Design</b>	Following EN 837-1
<b>Nominal size in mm</b>	<ul style="list-style-type: none"> <li>■ 40</li> <li>■ 50</li> <li>■ 63</li> </ul>
<b>Accuracy class</b>	2.5 Option: 1.6
<b>Scale ranges</b>	-1 ... 0 bar to 0 ... 400 bar or all other equivalent vacuum or combined pressure and vacuum ranges
<b>Pressure limitation</b>	
Steady	3/4 x full scale value
Fluctuating	2/3 x full scale value
Short time	Full scale value
<b>Connection location</b>	Lower back mount
<b>Process connection</b>	Module connection with O-ring (NBR or EPDM) and support ring (copper alloy) Others on request
<b>Permissible temperature</b>	
Medium	-20 ... +60 °C
Ambient	-20 ... +60 °C
<b>Temperature effect</b>	When the temperature of the measuring system deviates from the reference temperature (+20 °C): $\leq \pm 0.4 \text{ \%}/10 \text{ °C}$ of full scale value
<b>Case</b>	without  The construction and the design of the enclosing components for the PMM01, along with the resulting technical specifications, are the responsibility of the customer. If you have any further questions, your WIKA contact will gladly help you.
<b>Wetted materials</b>	
Process connection	Copper alloy
Pressure element	Copper alloy, C-type or helical type
<b>Non-wetted materials</b>	
Movement	Copper alloy
Dial	Plastic, white, with pointer stop pin and recess for screw mounting Black lettering
Pointer	Plastic, black

## Approvals

Logo	Description	Country
	EU declaration of conformity Pressure equipment directive	European Union

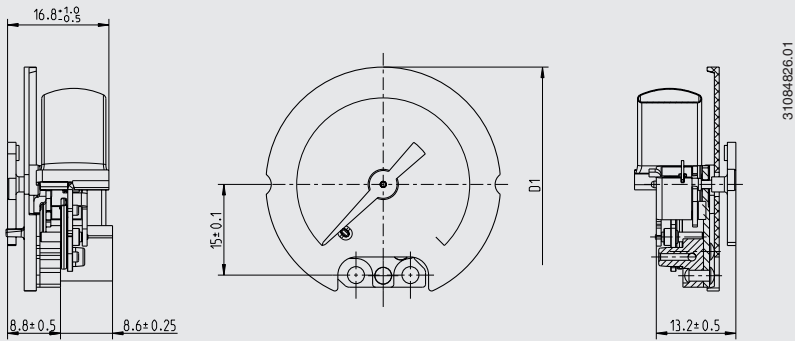
## Certificates (option)

- 2.2 test report per EN 10204
- 3.1 inspection certificate per EN 10204

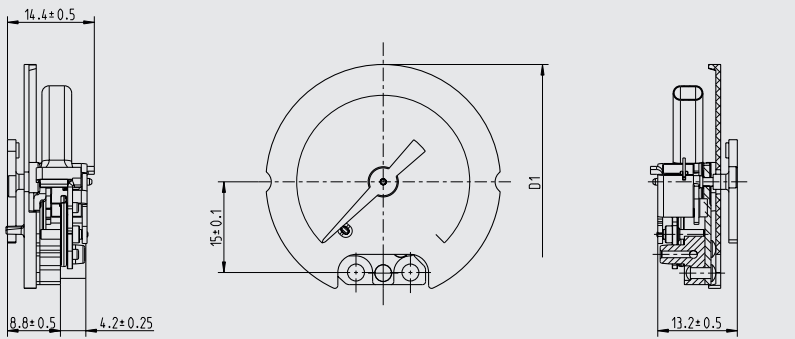
## Dimensions in mm

### Pressure element: C-type

Pressure range 2.5 ... < 16 bar

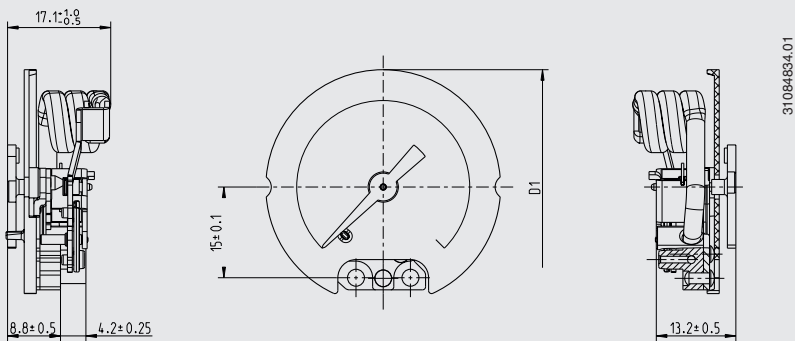


Pressure range  $\geq 16 \dots \leq 60$  bar



### Pressure element: Helical type

Pressure range > 60 bar



NS	Dimensions in mm		Weight in kg
	D1	Pressure element	
40	38.8 ±0.25	C-Type	0.012
		Helical type	0.014
50	45.4 ±0.25	C-Type	0.013
		Helical type	0.015
63	57.4 ±0.25	C-Type	0.015
		Helical type	0.017

## Ordering information

Model / Nominal size / Scale range / Options

© 06/2019 WIKA Alexander Wiegand SE & Co. KG, all rights reserved.  
The specifications given in this document represent the state of engineering at the time of publishing.  
We reserve the right to make modifications to the specifications and materials.



**WIKA Alexander Wiegand SE & Co. KG**  
Alexander-Wiegand-Straße 30  
63911 Klingenberg/Germany  
Tel. +49 9372 132-0  
Fax +49 9372 132-406  
info@wika.de  
www.wika.de