

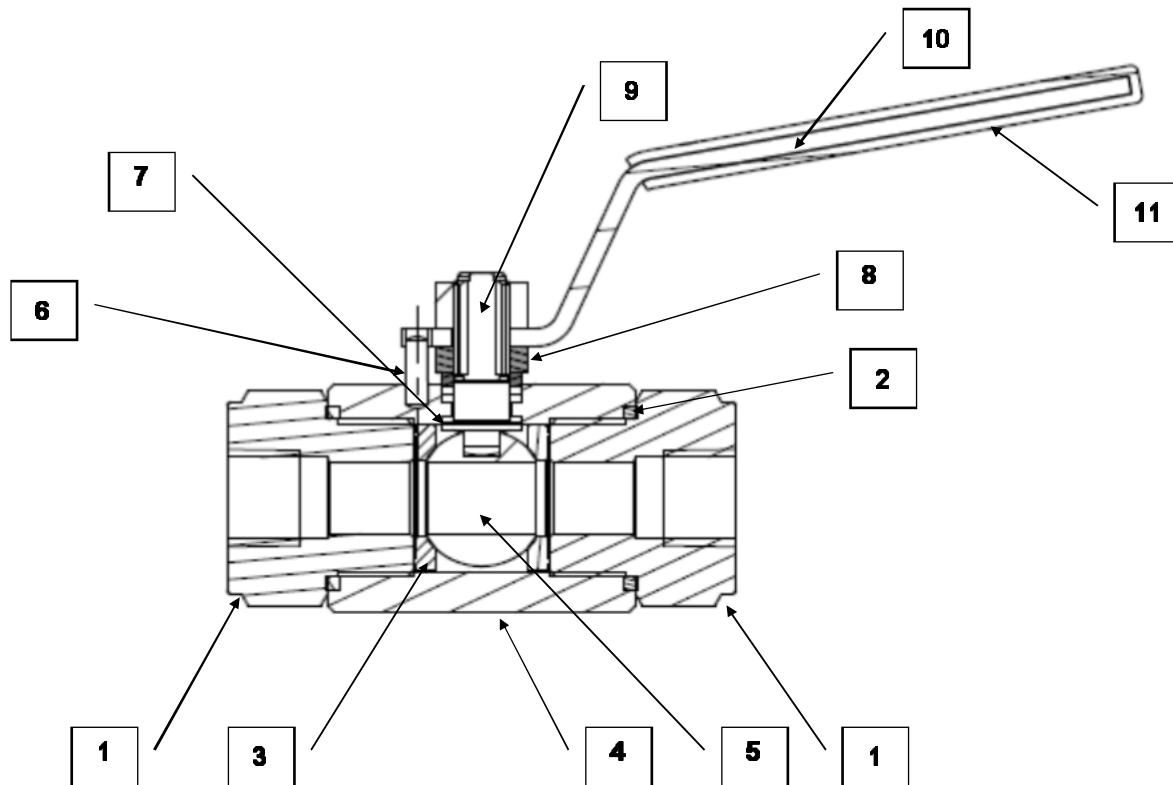
Ball Valves

6.000-10.000 PSI



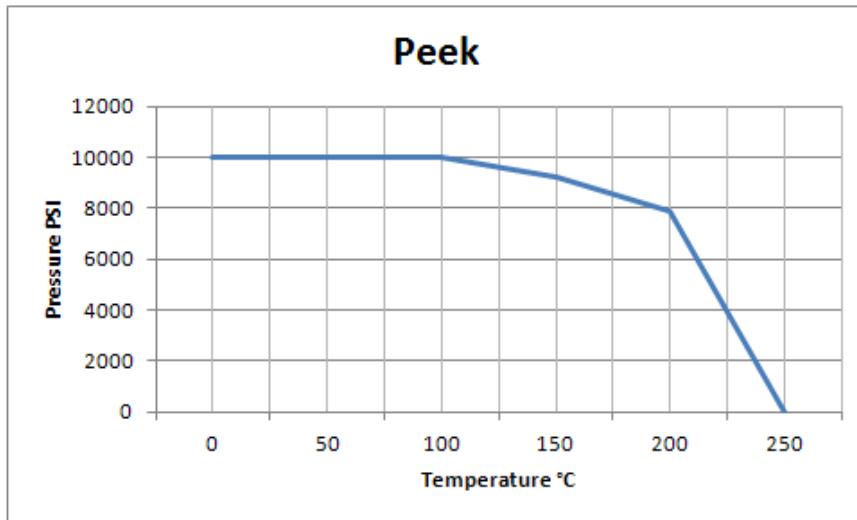
Part of your business

Ball Valve Components



BILL OF MATERIALS		
1	CLOSE FITTING	AISI 316L
2	SEAL RINGS	PTFE
3	BALL SEATS	PEEK
4	VALVE BODY	AISI 316L
5	BALL	AISI 316L
6	PIN	A4-70
7	GASKET	PTFE 25% CARBOGRAPHITE
8	SPRING WASHER	AISI 316L
9	STEM	AISI 316L
10	HANDLE	AISI 316L
11	HANDLE COVER	PVC

Pressure/Temperature Data

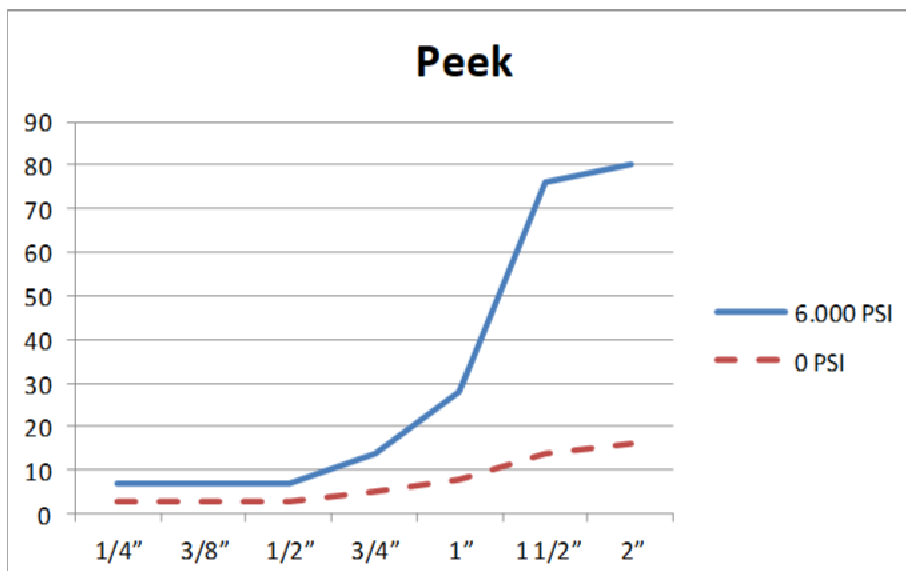


Operating Torque Requirements

Table of Break Out Torques for Full Differential & Zero Pressure Conditions

Seat Materials	Break out Torques	Valve Sizes						
		1/4"	3/8"	1/2"	3/4"	1"	1 1/2"	2"
PEEK 6.000 PSI	Full differential	7	7	7	14	28	76	80
	0 pressure	3	3	3	5	8	14	16
PTFE 1.000 PSI	Full differential	1	1	1	4	7	20	29
	0 pressure	1	1	1	2	5	12	15
RTFE 2.000 PSI	Full differential	1	1	1	4	7	21	32
	0 pressure	1	1	1	2	5	12	15

The above Torque values are in Newton meters
 The above figures can be subject to +/- 20%



Ordering Information

Simple Ball Valves are designed to withstand pressure ratings up to 10,000 psi (689 bar) and are suitable for the most demanding applications.

Model	Size	In	Out	Material	Options
SB	C	1	1	A	B

Model (Standard Packing: PEEK)	
SB	Simple Ball Valve (6,000 psi)
HB	High Pressure Ball Valve (10,000 psi)

Size	
A	1/4"
B	3/8"
C	1/2"
D	3/4"
E	1"

Inlet	
1	NPT
2	BP
3	BT
4	S.W.
5	B.W.
6	Plain End
7	O.D.

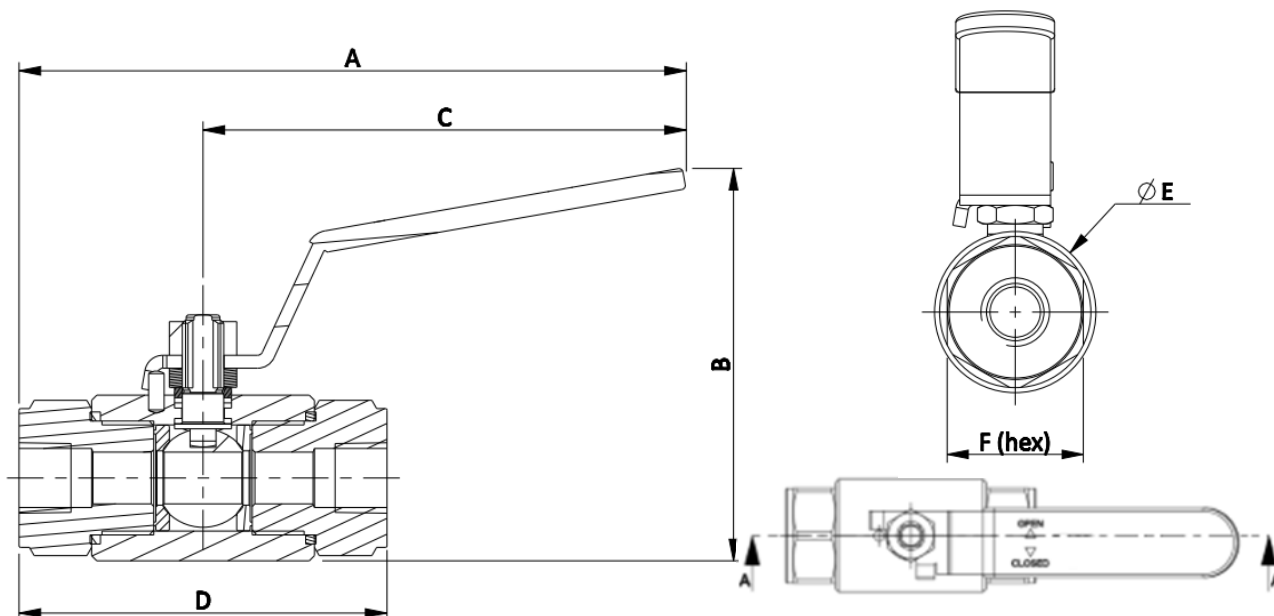
Outlet	
1	NPT
2	BP
3	BT
4	S.W.
5	B.W.
6	Plain End
7	O.D.

Material	
A	Aisi 316L
C	Aisi 316 Ti
D	Monel 400
E	Duplex F51
G	Super Duplex F55
H	Hastelloy C276
I	Inconel 625
J	Incolloy 825
L	Titanium

Options	
B	Locking Device
D	Connections Male/Female
E	Connections Male/Male
O	PTFE Packing
P	Panel Mounting
S	Spring loaded safety locking device

Simple Ball Valve 6,000 psi

The 3 piece simple ball valve is designed to give higher strength and integrity by using the dynamic multi-ring gland system, which when combined with the anti-blowout back seating stem, guarantees resistance to most of operating processes and pressures.



Features

- Super finished floating ball within dynamic, self relieving PEEK gasket
- PEEK packing standard
- Stainless steel construction as standard, optional: see material list on page 3
- Flexible three piece construction for easy maintenance
- Anti-blowout stem for safety
- Variety of end connections

Specifications

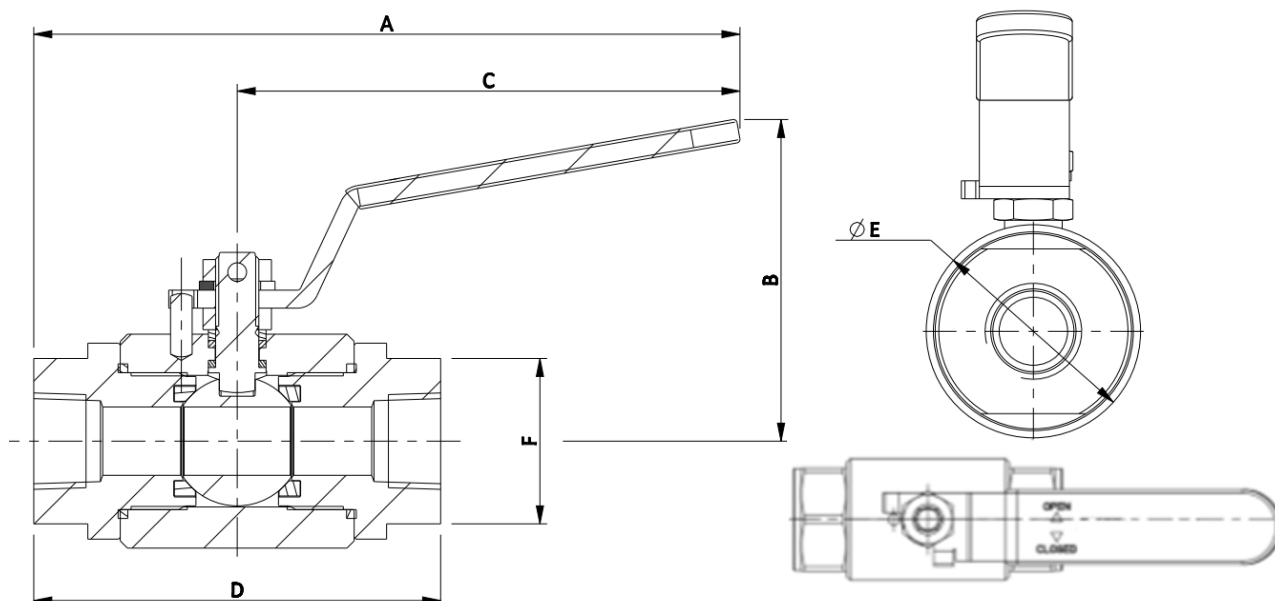
- Pressure 6,000 Psi (413 Bar)
- Temperature rating PEEK packing from -40°C to $+260^{\circ}\text{C}$ (-40°F / $+500^{\circ}\text{F}$)
- Standard 316L stainless steel

Order code	Connections		A mm (inch)	B mm (inch)	C mm (inch)	D mm (inch)	E mm (inch)	F mm (inch)	Orifice mm (inch)
	Inlet	Outlet							
SBA11A	1/4"NPT-F	1/4"NPT-F	128.50 (5.061)	75.7 (2.982)	93.0 (3.663)	71.0 (2.795)	32.0 (1.260)	27.0 (1.063)	10.00 (0.394)
SBB11A	3/8"NPT-F	3/8"NPT-F	128.50 (5.061)	75.7 (2.982)	93.0 (3.663)	71.0 (2.795)	32.0 (1.260)	27.0 (1.063)	10.00 (0.394)
SBC11A	1/2"NPT-F	1/2"NPT-F	131.5 (5.179)	75.7 (2.982)	93.0 (3.663)	77.0 (3.031)	32.0 (1.260)	27.0 (1.063)	10.00 (0.394)

Material of construction can be supplied to meet the requirements of NACE MR01.75

Simple Ball Valve 6,000 psi

The 3 piece simple ball valve is designed to give higher strength and integrity by using the dynamic multi-ring gland system, which when combined with the anti-blowout back seating stem, guarantees resistance to most of operating processes and pressures.



Features

- Super finished floating ball within dynamic, self relieving PEEK gasket
- PEEK packing standard
- Stainless steel construction as standard, optional: see material list on page 3
- Flexible three piece construction for easy maintenance
- Anti-blowout stem for safety
- Variety of end connections

Specifications

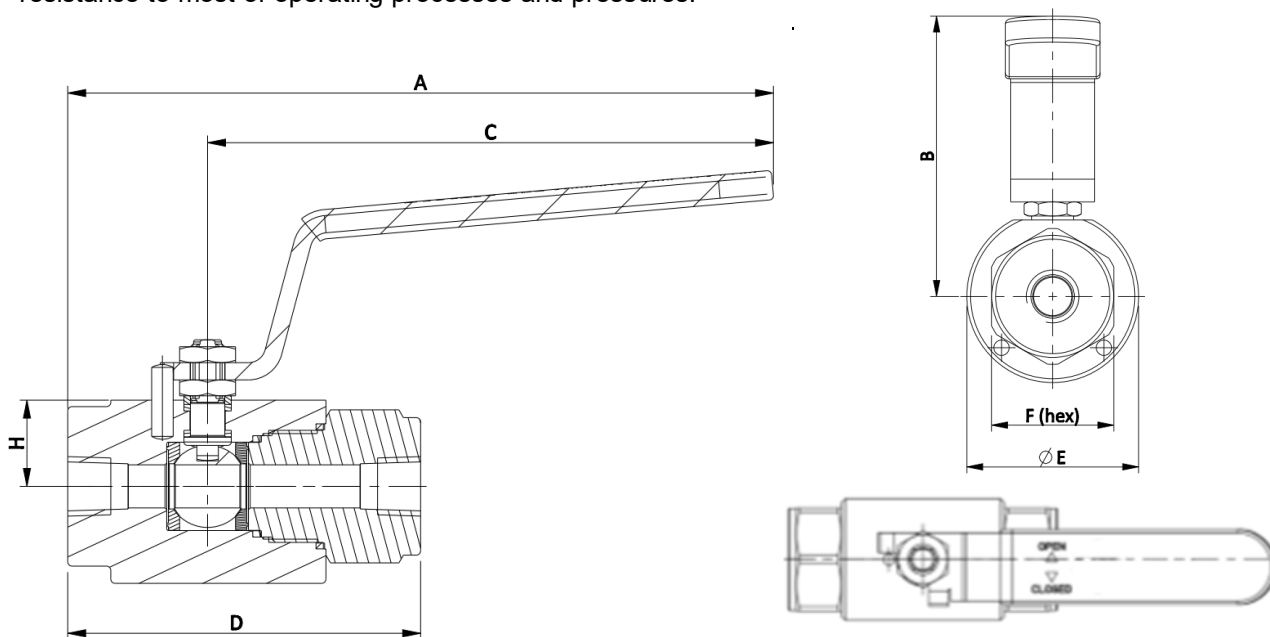
- Pressure 6,000 Psi (413 Bar)
- Temperature rating PEEK packing from -40°C to $+260^{\circ}\text{C}$ (-40°F / $+500^{\circ}\text{F}$)
- Standard 316L stainless steel

Order code	Connections		A mm (inch)	B mm (inch)	C mm (inch)	D mm (inch)	E mm (inch)	F mm (inch)	Orifice mm (inch)
	Inlet	Outlet							
SBD11A	3/4"NPT-F	3/4"NPT-F	196.2 (7.723)	89.5 (3.523)	139.7 (5.501)	112.9 (4.445)	59.5 (2.343)	46.0 (1.811)	19.00 (0.748)
SBE11A	1"NPT-F	1"NPT-F	196.2 (7.723)	89.5 (3.523)	139.7 (5.501)	112.9 (4.445)	59.5 (2.343)	46.0 (1.811)	19.00 (0.748)

Material of construction can be supplied to meet the requirements of NACE MR01.75

Simple Ball Valve 10,000 psi

The 2 piece simple ball valve is designed to give higher strength and integrity by using the dynamic multi-ring gland system, which when combined with the anti-blowout back seating stem, guarantees resistance to most of operating processes and pressures.



Features

- Super finished floating ball within dynamic, self relieving PEEK gasket
- PEEK packing standard
- Stainless steel construction as standard, optional: see material list on page 3
- Anti-blowout stem for safety
- Variety of end connections

Specifications

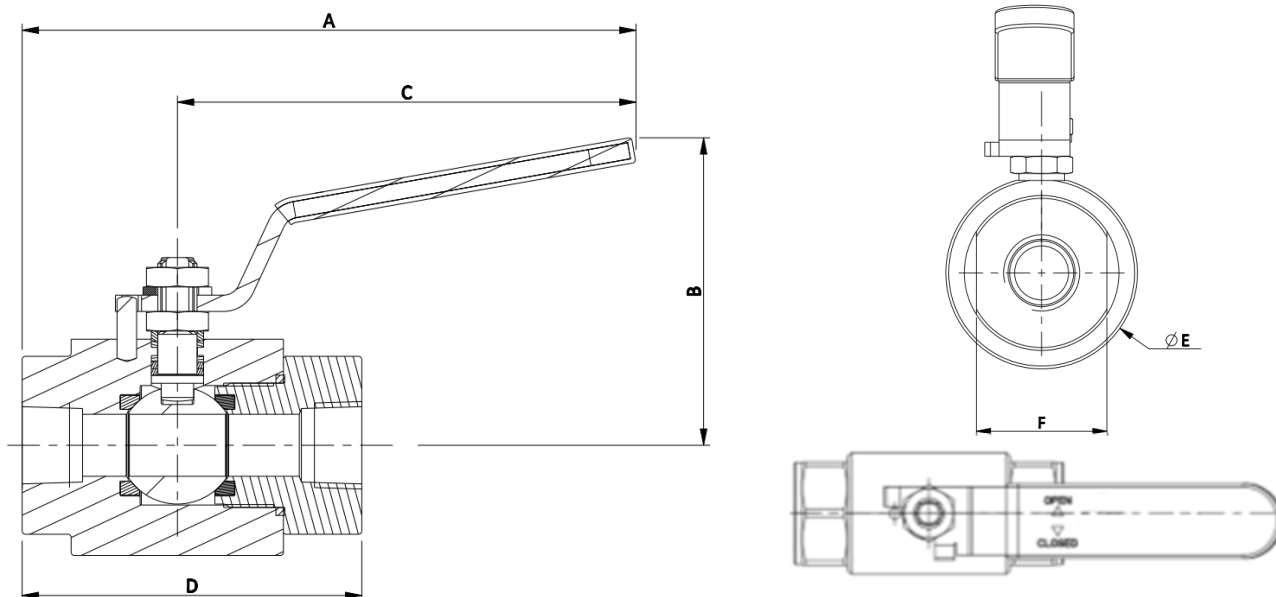
- Pressure 10,000 Psi (689 Bar)
- Temperature rating PEEK packing from -40°C to +260°C (-40°F / +500°F)
- Standard 316L stainless steel

Order code	Connections		A mm (Inch)	B mm (Inch)	C mm (Inch)	D mm (Inch)	E mm (Inch)	F mm (Inch)	J mm (Inch)	H mm (Inch)	Orifice mm (inch)
	Inlet	Outlet									
HBA11A	1/4 " NPT-F	1/4 " NPT-F	164.00 (6.456)	71.20 (2.804)	131.50 (5.177)	82.00 (3.228)	45.00 (1.772)	32.00 (1.260)	32.00 (1.260)	20.00 (0.787)	10.00 (0.394)
HBB11A	3/8 " NPT-F	3/8 " NPT-F	164.00 (6.456)	71.20 (2.804)	131.50 (5.177)	82.00 (3.228)	45.00 (1.772)	32.00 (1.260)	32.00 (1.260)	20.00 (0.787)	10.00 (0.394)
HBC11A	1/2 " NPT-F	1/2 " NPT-F	164.00 (6.456)	71.20 (2.804)	131.50 (5.177)	82.00 (3.228)	45.00 (1.772)	32.00 (1.260)	32.00 (1.260)	20.00 (0.787)	10.00 (0.394)

Material of construction can be supplied to meet the requirements of NACE MR01.75

Simple Ball Valve 10,000 psi

The 2 piece simple ball valve is designed to give higher strength and integrity by using the dynamic multi-ring gland system, which when combined with the anti-blowout back seating stem, guarantees resistance to most of operating processes and pressures.



Features

- Super finished floating ball within dynamic, self relieving PEEK gasket
- PEEK packing standard
- Stainless steel construction as standard, optional: see material list on page 3
- Anti-blowout stem for safety
- Variety of end connections

Specifications

- Pressure 10,000 Psi (689 Bar)
- Temperature rating PEEK packing from -40°C to $+260^{\circ}\text{C}$ (-40°F / $+500^{\circ}\text{F}$)
- Standard 316L stainless steel

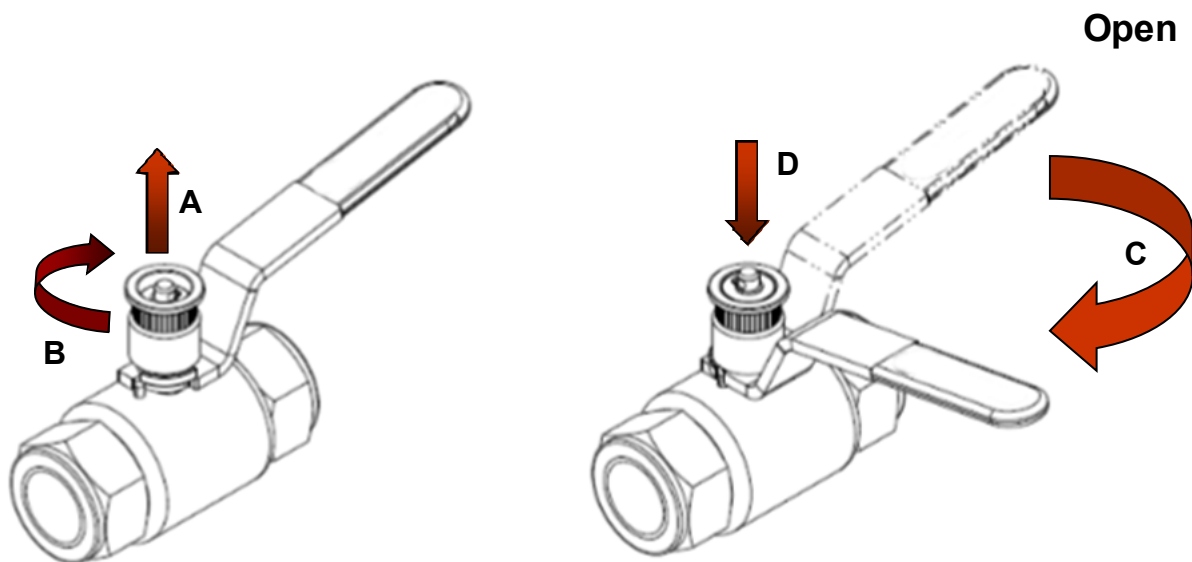
Order code	Connections		A mm (inch)	B mm (inch)	C mm (inch)	D mm (inch)	E mm (inch)	F mm (inch)	Orifice mm (inch)
	Inlet	Outlet							
HBD11A	3/4"NP T-F	3/4"NPT -F	188.00 (7.400)	94.20 (3.708)	140.40 (5.528)	104.00 (4.094)	67.50 (2.657)	46.00 (1.811)	19.00 (0.748)
HBE11A	1"NPT- F	1"NPT- F	188.00 (7.400)	94.20 (3.708)	140.40 (5.528)	107.00 (4.213)	67.50 (2.657)	46.00 (1.811)	19.00 (0.748)

Material of construction can be supplied to meet the requirements of NACE MR01.75

Safety Locking Device

Option “S” (see coding system on page 3)

The safety Locking Device is a revolutionary feature designed to be spring loaded so that the valve remains blocked in the given position thus preventing any accidental operation. Moreover, the spring-loaded feature does not allow the loss or misplacement of any component of the locking device. The valve can be locked in open or closed position and can be fitted to the valve in-line.



Lift the lock housing above the stop pin and slightly turn it clockwise.

Turn the wrench to the desired position and then release the housing.

Standard Locking Device

Option "B" (see coding system on page 3)

Standard locking device with removable ball locking device and exagonal nut.



WIKA Instruments Italia S.r.l.

Via Bernarde, 11/1 - 36047 Montegalbella (VI) - Italy

Tel: (+39) 0444 635 801

Fax: (+39) 0444 635 161

E-mail: info.valves@wika.com

Website: www.wika.com

01-Ball-Valves Rev. 0 2019